

upCentric®
3-LEG

Sit down. Stand up.
A healthy way to work.



ergoCentric
ergocentric.com

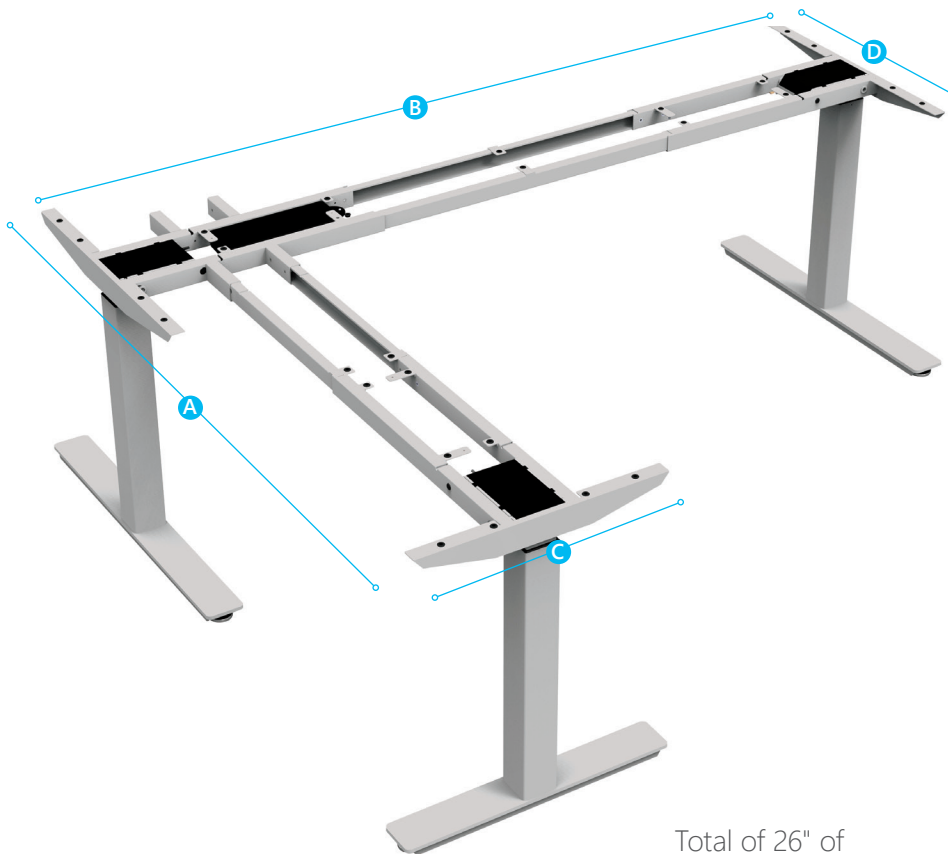
Sturdy design. Easy to assemble.

Affordable solution.

The upCentric™ height adjustable table is a high quality, durable steel frame with a large height range meeting ANSI/BIFMA and CSA/UL standards. This allows users to alternate between seated and standing positions, thereby reducing backaches, pains, stress, tension and improves circulation.

Moving the table is intuitive with the easy-to-use up/down control with four position memory. The quiet motors housed in each of the table's legs ensure a quick, smooth transition in positions.

The sturdy upCentric frame accommodates a variety of different table top sizes to make retrofitting the table for new users and areas very economical. The crossbar-free design provides optimal knee clearance and space for storage.



Total of 26" of height adjustability

Specifications

Frame Dimensions

- Height range: 23.5" – 50"
- Width range (A): 42"– 72"
- Width range (B): 46"– 77"
- Frame depth (C&D): 22" (20")*

Height Adjustment Controls

- Digital height display
- 4 position memory

Frame

- Sturdy steel construction
- Durable black or silver powder coat finish

Travel Speed

- 1.6" per second

Energy

- Standby power draw: 0.06W
- Max power draw: 30W
- Sound level: 39dB

Weight Capacity

- Up to 420 lbs

Additional Options

- Available as frame only or with tabletop
- Accommodates table tops from 42" x 48" to 84" x 96"

Power Cord Length

- 2m

Certifications

- ANSI/BIFMA
- CSA/UL

Warranty

5 years

- Metal table frame components
- Frame motor and electrical components

1 year

- Tabletops

* Refers to the depth of bracket which tabletop is mounted to